

AS-SERIES MALE HYDRAULIC COUPLING DATA SHEET

Body Material

Nitronic 50 HS

Component Materials	
Poppet Assembly	K500/316 SS
Spring	Elgiloy
Spring Seat	316 SS
Spring Seat Retainer	316 SS/Elgiloy
Thrust Washer	Nitronic 60/50 HS
Washer Retaining Clip	Inconel X-750
Retaining Nut	Nit 60/Nit 50 HS/316 SS

Seal Material		
Poppet Seal	Delrin	(-DL)

Options		
Poppet Seal	PEEK	(-PK)
Poppet	Bleeder	(-B)
	No Poppet	(-NP)

Performance					
Part Series	Pressure Rating		Flow Coefficient (C _v)		
	Delrin Poppet Seal	PEEK Poppet Seal	Standard (200 psi)	High ⁴ Flow	No Poppet
AS-2-A (1/8")	10,000 psi	17,500 psi	.17 ⁵	N/A	1.1
AS-4-A (1/4")	10,000 psi	17,500 psi	.53 ³	1.2	2.6
AS-8-A (1/2")	10,000 psi	15,000 psi	1.9 ²	3.2	6.7
AS-16-A (1")	10,000 psi	15,000 psi	5.5	9.2	16.4

- Notes:
1. Coupling Drawings or Part-Specific Data Sheets take precedence.
 2. C_v = 1.2 when equipped with 800 psi cracking-pressure poppet spring.
 3. C_v = 0.46 when equipped with debris resistant probe.
 4. 200 psi cracking-pressure only. Increased length compared to standard-C_v coupling: AS-4: 1.33" AS-8: 0.63" AS-16: 0.78"
 5. C_v = .14 when equipped with a debris resistant probe.

AS-SERIES FEMALE HYDRAULIC COUPLING DATA SHEET¹

Body Material
Nitronic 50 HS

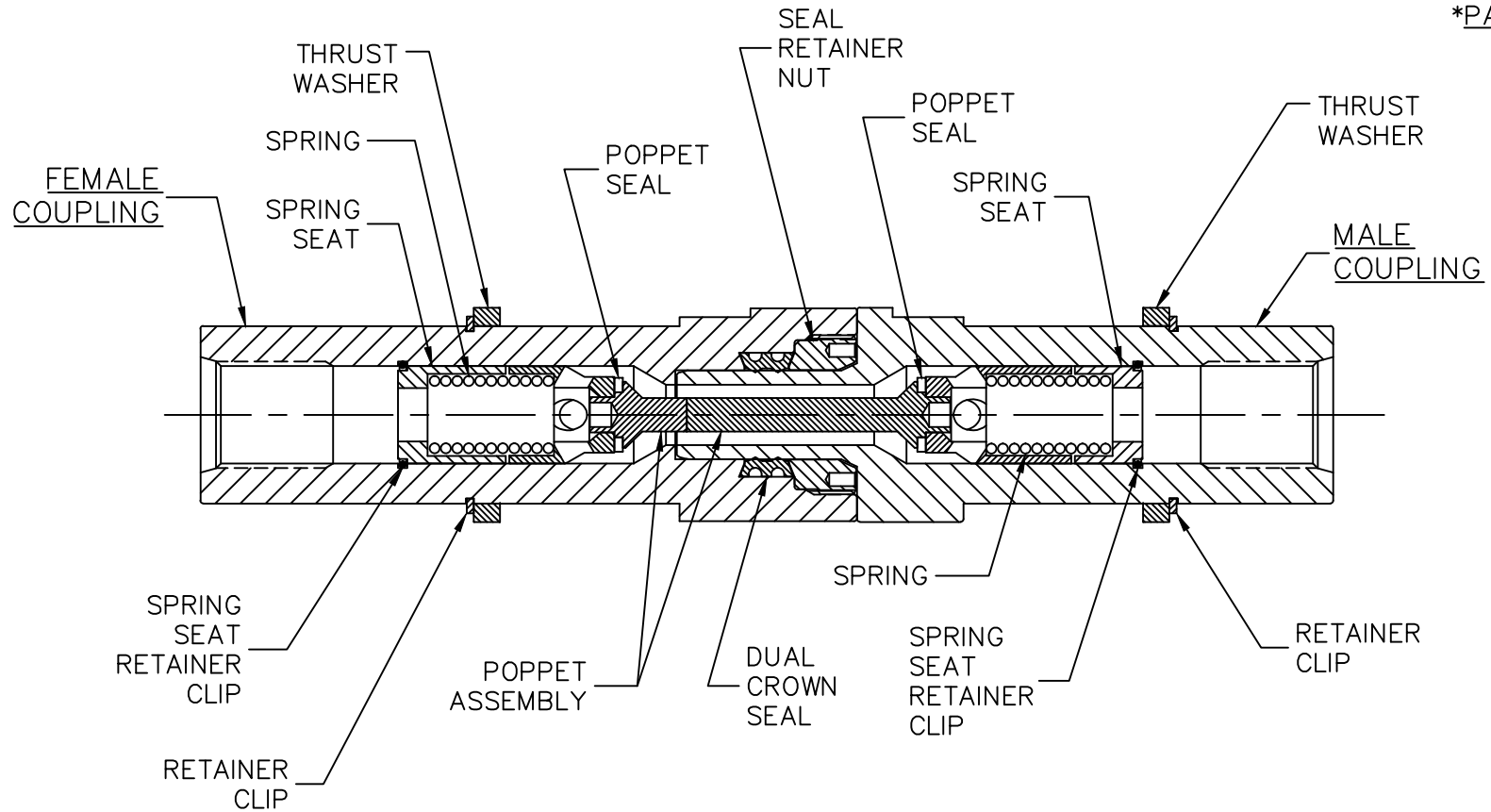
Component Materials		Seal Materials	
Seal Retainer Nut	Nitronic 60/ToughMet 3 AT 110	Crown Seal	Dual PEEK (-PK2)
Poppet Assembly	K500/316 SS	O-rings	Nitrile 90D (-N552)
Spring	Elgiloy/Inconel X-750	Poppet Seal	Delrin
Spring Seat	316 SS		
Spring Seat Retainer	316 SS/Elgiloy		
Thrust Washer	Nitronic 60/Nit 50 HS		
Washer Retaining Clip	Inconel X-750		
Retaining Nut	Nit 60/Nit 50 HS/316 SS		

Options		
Poppet	PEEK	(-PK)
Crown Seal	Single PEEK Crown Seal	(-PK)
	Dual PEEK Crown Seal with Bore Liner	(-PK2BL)
O-rings	Viton	(-V)
	Chemraz	(-C510)
	HNBR	(-2269)
Poppet	Bleeder	(-B)
	No Poppet	(-NP)

Performance							
Part Series	Pressure Rating		Max Working Depth		Flow Coefficient (C _v)		
	Delrin Poppet Seal	PEEK Poppet Seal	Crown Seal Materials		Standard (200 psi)	High ⁴ Flow	No Poppet
AS-2-B (1/8")	10,000 psi	17,500 psi	Dual PEEK	22,800ft (6950m)	.17 ⁵	N/A	1.1
AS-4-B (1/4")	10,000 psi	17,500 psi	Dual PEEK	22,800ft (6950 m)	.53 ³	1.2	2.6
AS-8-B (1/2")	10,000 psi	15,000 psi	Dual PEEK	22,800ft (6950 m)	1.9 ²	3.2	6.7
AS-16-B (1")	10,000 psi	15,000 psi	Dual PEEK	22,800ft (6950 m)	5.5	9.2	16.4

- Notes:
1. Coupling Drawings or Part-Specific Data Sheets take precedence.
 2. C_v = 1.2 when equipped with 800 psi cracking-pressure poppet spring.
 3. C_v = 0.46 when equipped with debris resistant probe.
 4. 200 psi cracking-pressure only. Increased length compared to standard-C_v coupling: AS-4: 1.33" AS-8: 0.63" AS-16: 0.78"
 5. C_v = .14 when equipped with a debris resistant probe.

*REGISTERED TRADEMARK
*PATENTED



JS 07 NOV 08

CR 15 NOV 08

AS-8 COUPLING ASSEMBLY
PLATE MOUNTED

- AS-8-ASSY

A