

Ditch Witch® Direct Replacement Road Maps

OPF Drill Rod

Advantage Drill Rod

Drive Chucks

SaverLoc / Saver Subs

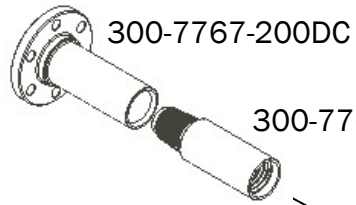
Transition Rods / Starter Rods



Ditch Witch® JT9 / JT922 / JT10

1.30-5

Component Road Map



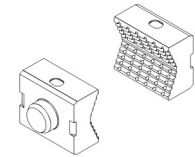
300-7767-200DC

300-7767-1305

300-7767-1305AS (Assembly)

300-7767 One-Piece

Rod Rack Capacity: 50

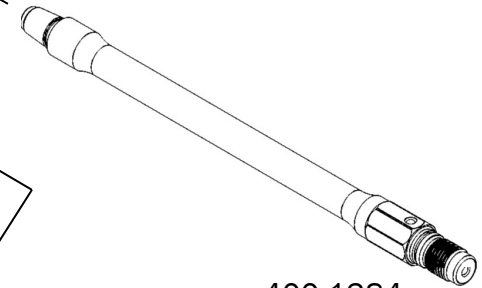
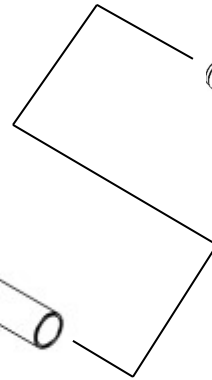


H0040

4 Required

355-1149 OPF
1.650" x 6 ft.

A355-1149 Advantage
1.600" x 6 ft.
1.30-5 Thread



400-1384

1.30-5 x 1.63-6 M EZ2

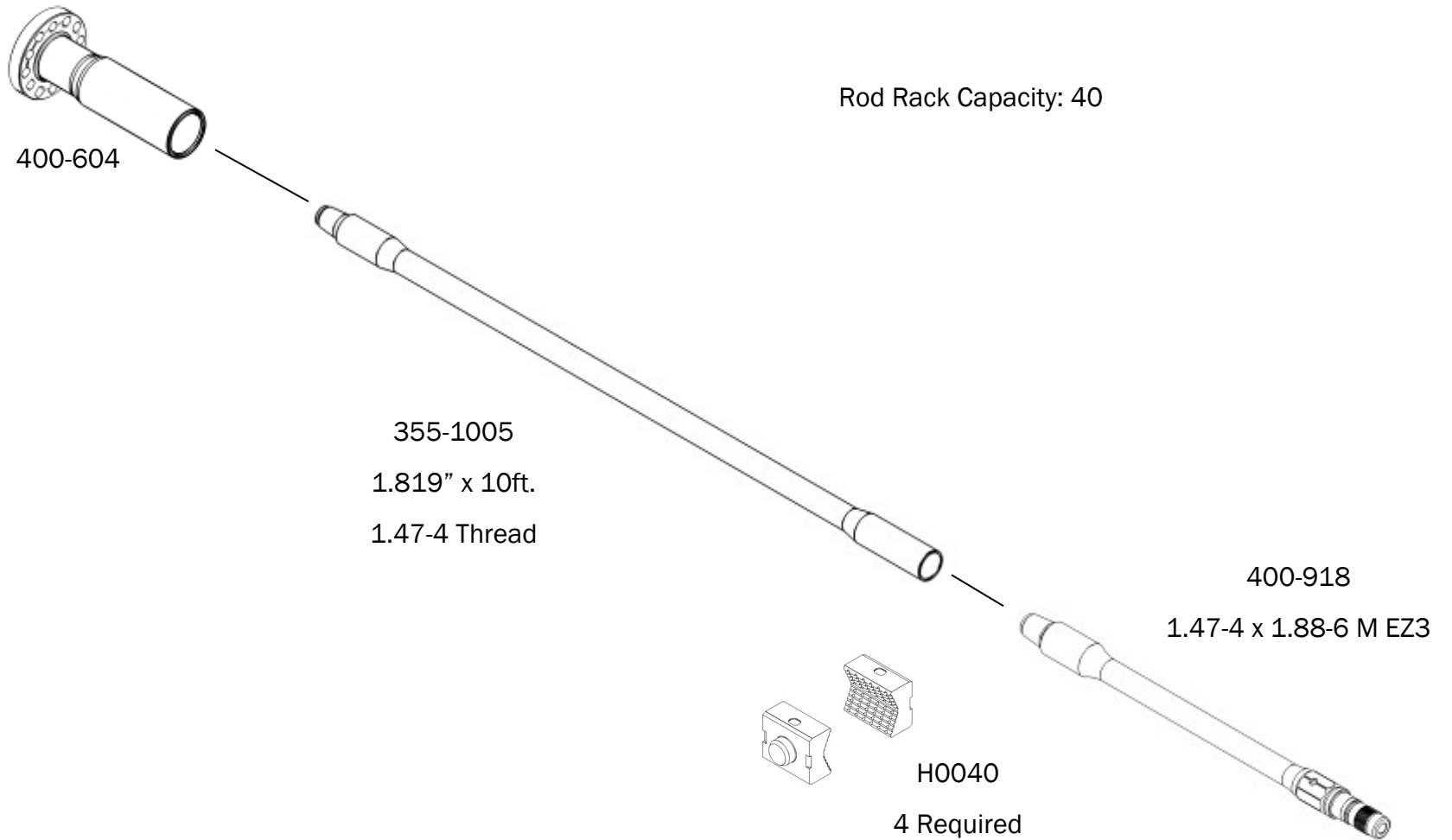
26.8" OAL



Ditch Witch® JT1220

1.47-4

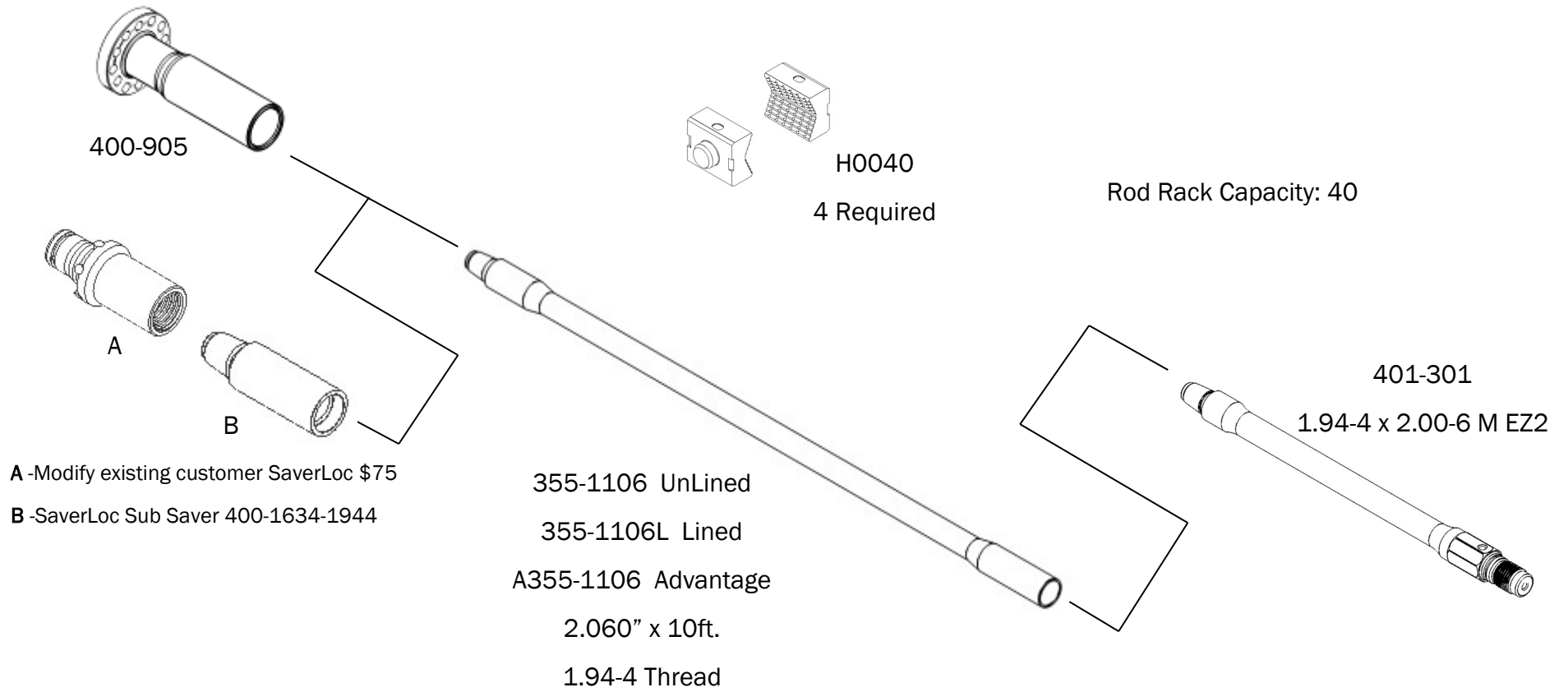
Component Road Map



Ditch Witch® JT2020 JT20

1.94-4

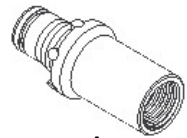
Component Road Map



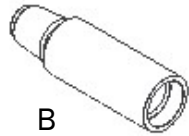
Ditch Witch® JT24

1.76-4

Component Road Map

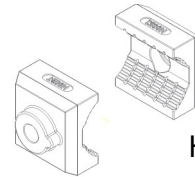


A



B

Rod Rack Capacity: 40

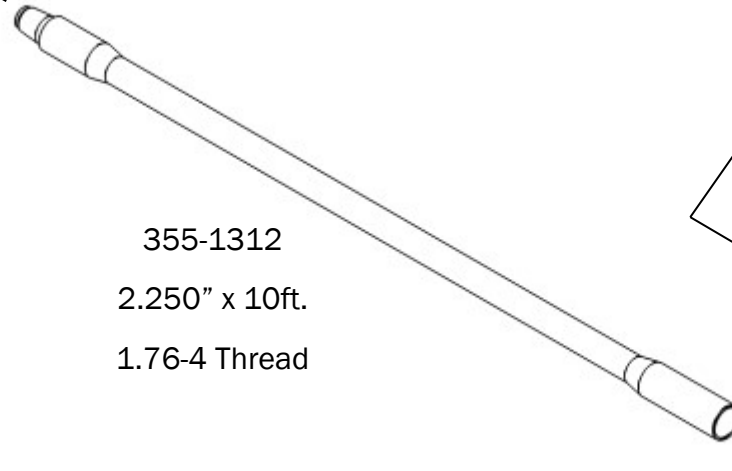


H0051

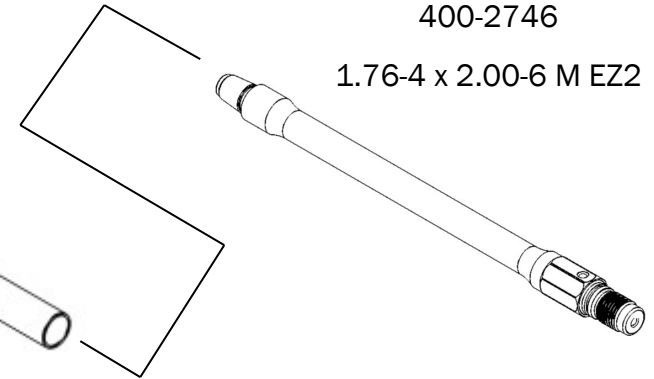
4 Required

A -Modify existing customer SaverLoc \$75

B -SaverLoc Sub Saver 400-3054-1764



355-1312
2.250" x 10ft.
1.76-4 Thread



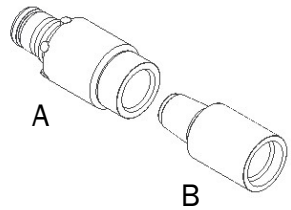
400-2746
1.76-4 x 2.00-6 M EZ2



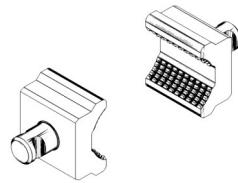
Ditch Witch® JT25 , JT28, JT30, JT32

2.11-4

Component Road Map

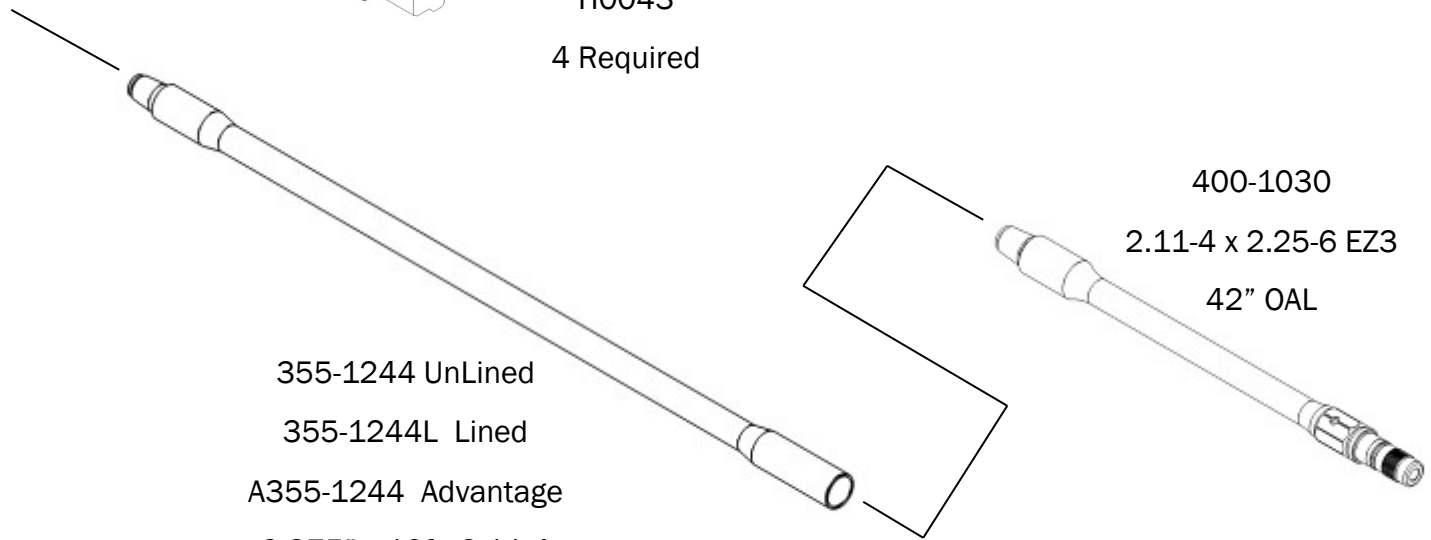


A -Modify existing customer SaverLoc
B -SaverLoc Sub Saver 400-2037-2114



H0043
4 Required

Rod Rack Capacity: 24/48



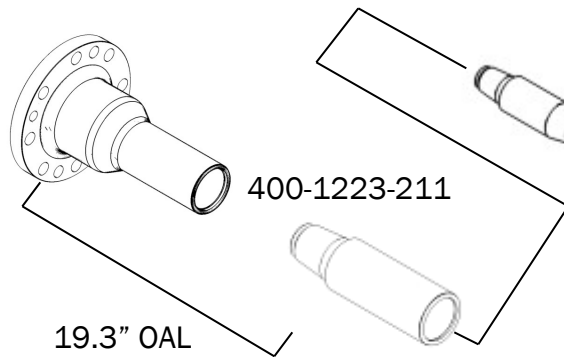
355-1244 UnLined
355-1244L Lined
A355-1244 Advantage
2.375" x 10ft. 2.11-4
JT30 Thread

400-1030
2.11-4 x 2.25-6 EZ3
42" OAL



400-1224-602DC (5.75" Dia. Flange)

400-1229-602DC (7.50" Dia. Flange)

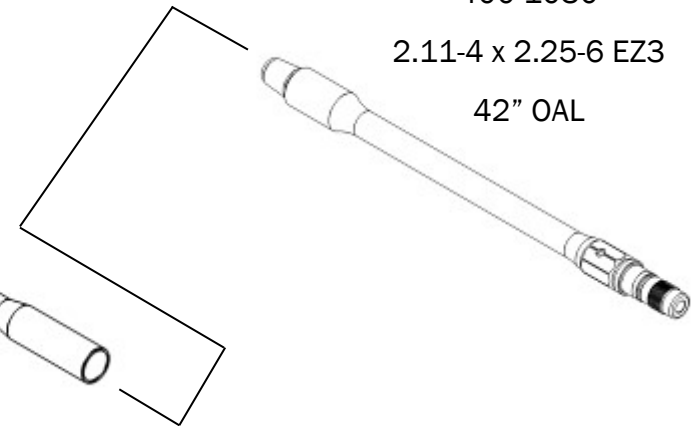


400-1224-211AS (S/N 2W0001-2W9999)

400-1229-211AS (S/N 2X0001-2X9999)

Rod Rack Capacity: 25/50

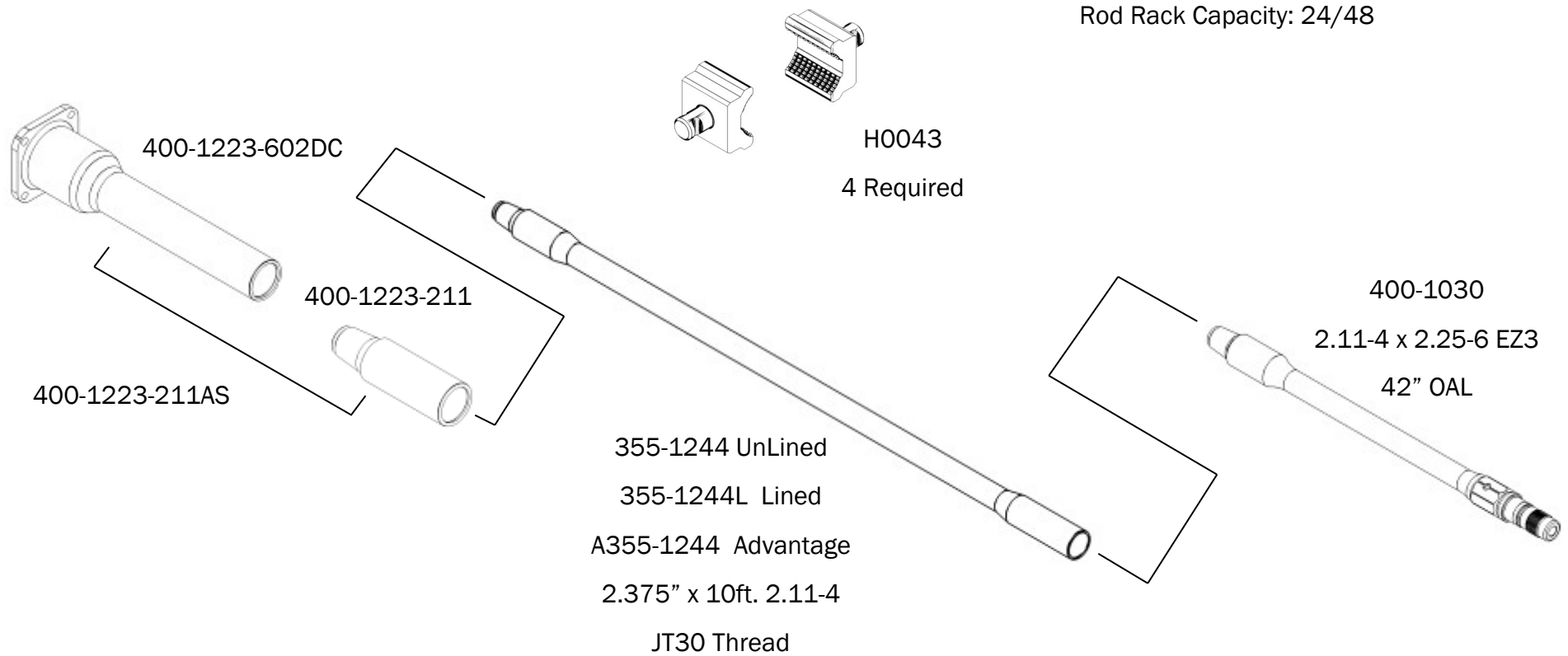
355-1244 UnLined
355-1244L Lined
A355-1244 Advantage
2.375" x 10ft. 2.11-4
JT2720M1 / JT30 Thread



400-1030

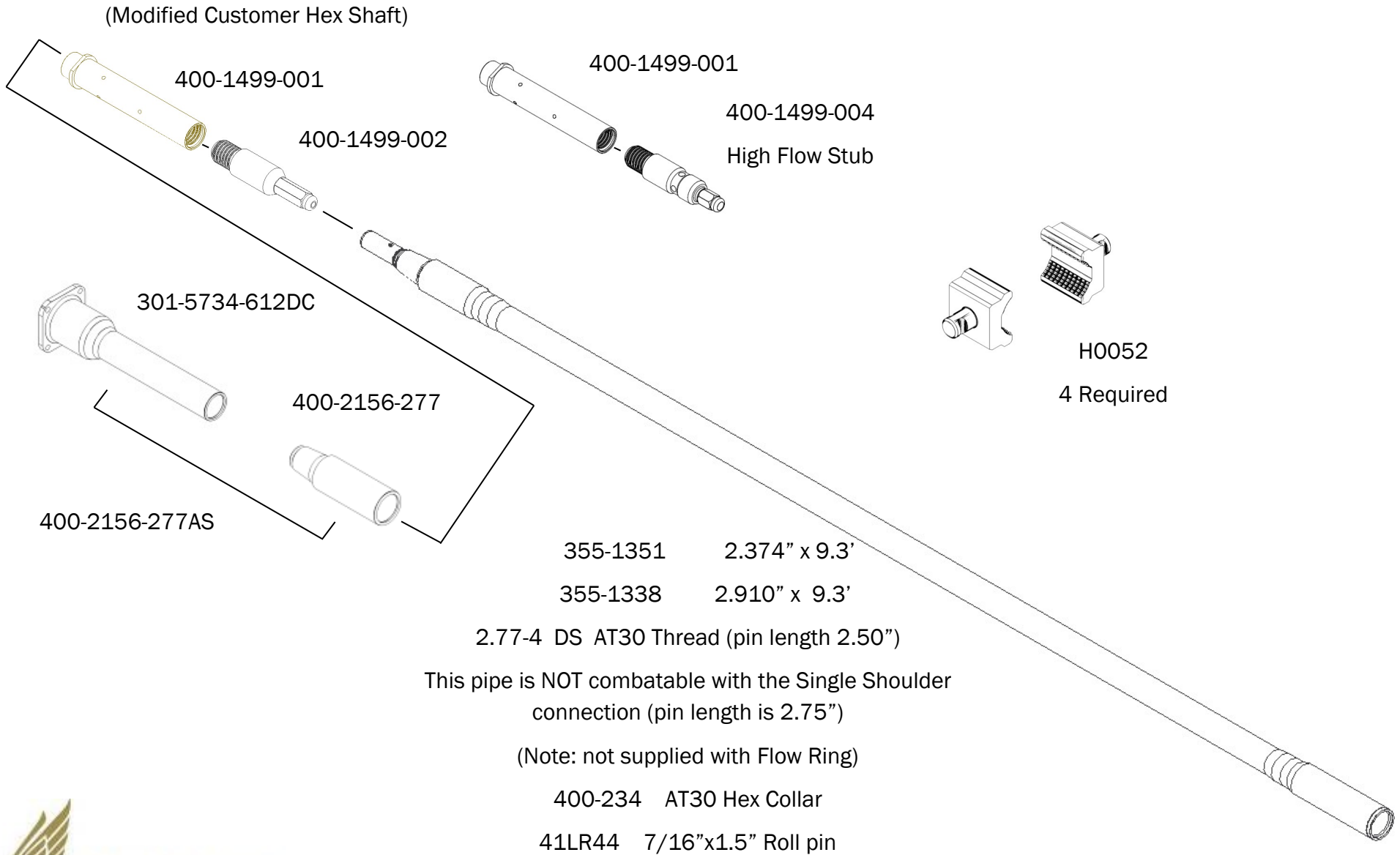
2.11-4 x 2.25-6 EZ3

42" OAL



Ditch Witch® AT30, AT3020 2.77-4 DS

Component Road Map



2.77-4 DS AT30 Thread (pin length 2.50")
 This pipe is NOT compatible with the Single Shoulder connection (pin length is 2.75")

(Note: not supplied with Flow Ring)

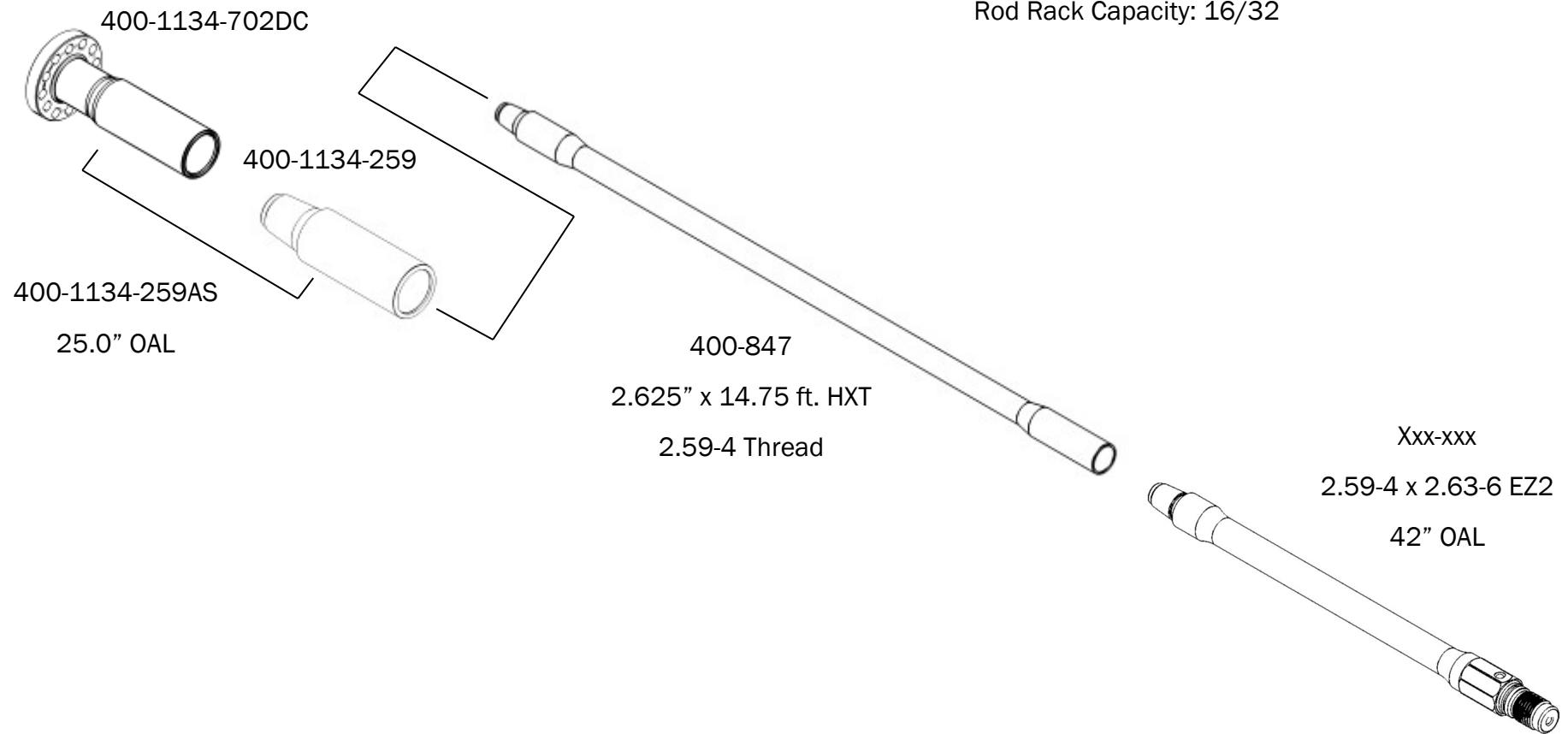
- 400-234 AT30 Hex Collar
- 41LR44 7/16"x1.5" Roll pin

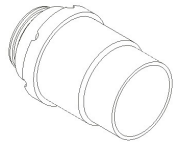


Ditch Witch® JT4020M1

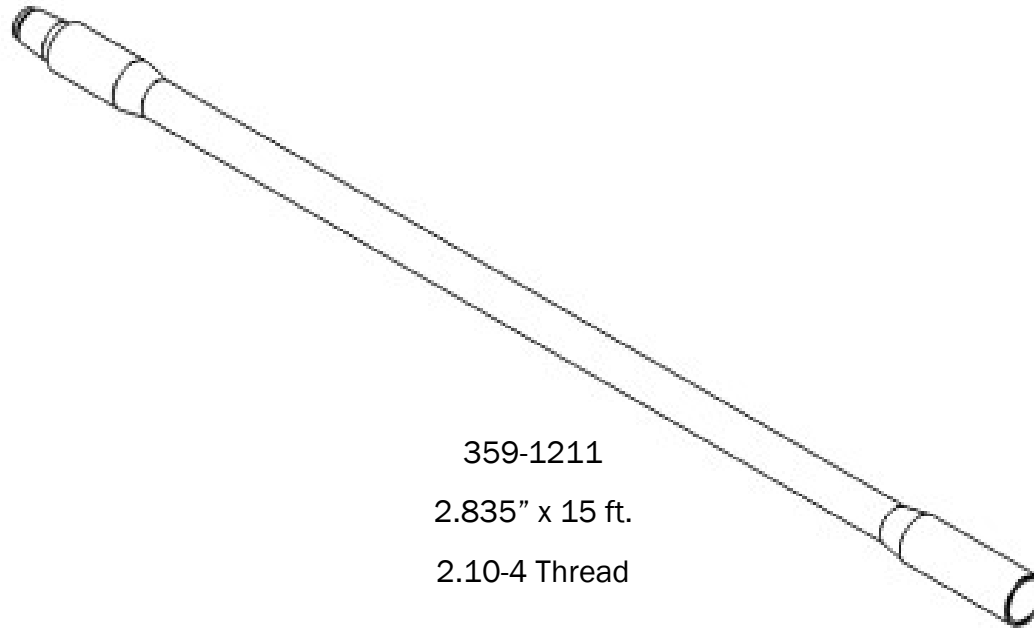
2.59-4

Component Road Map

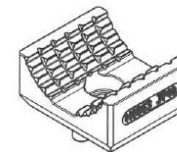




SaverLoc not available

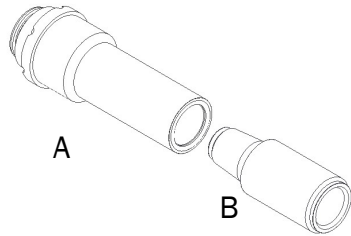


359-1211
2.835" x 15 ft.
2.10-4 Thread

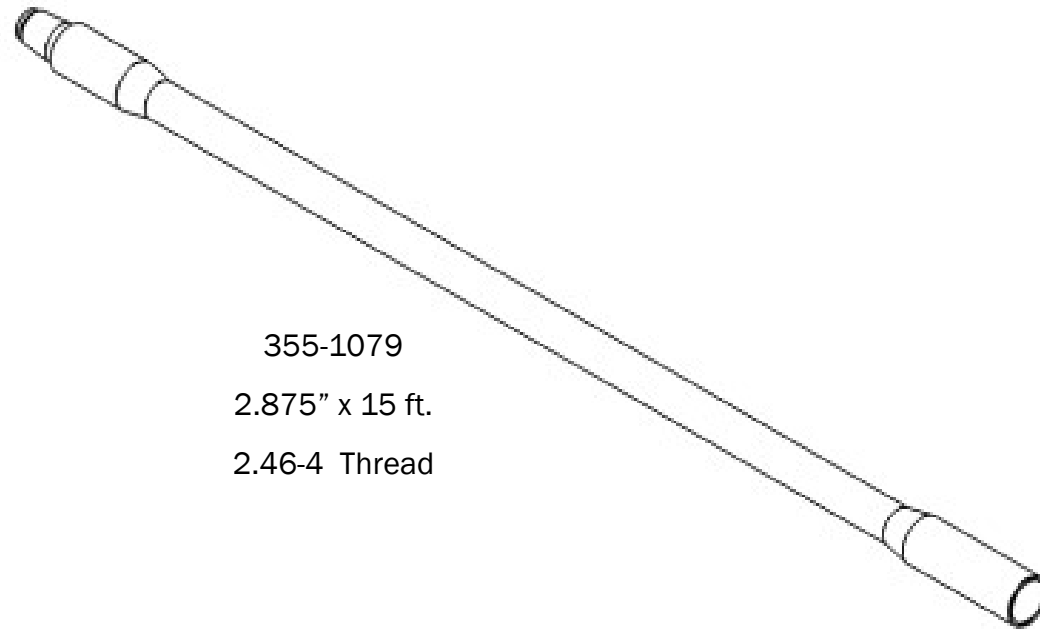


Jaw Block
H0063 (4X)

Rod Rack Capacity: 16/28



- A -Modify existing customer SaverLoc
- B -SaverLoc Sub Saver 400-2150-2464



355-1079
2.875" x 15 ft.
2.46-4 Thread

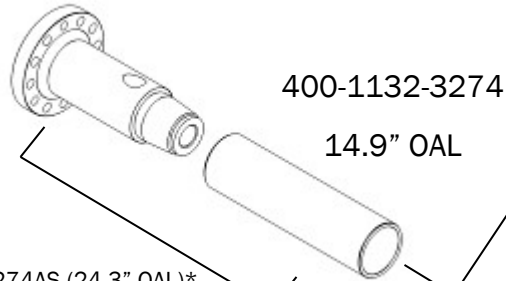
Ditch Witch® JT7020/JT8020/JT100

(3.27-4)

Component Road Map

400-1132-802DC (13" OAL)*

400-2115-802DC (14" OAL)**

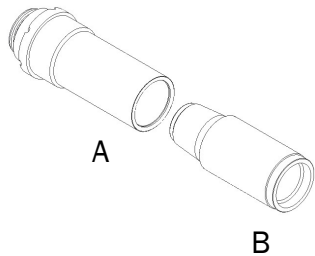


400-1132-3274

14.9" OAL

400-1132-3274AS (24.3" OAL)*

400-2115-3274AS (25.3" OAL)**

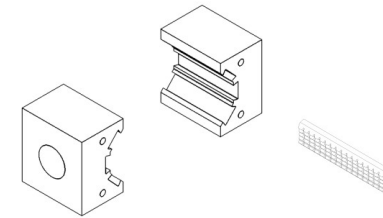


A

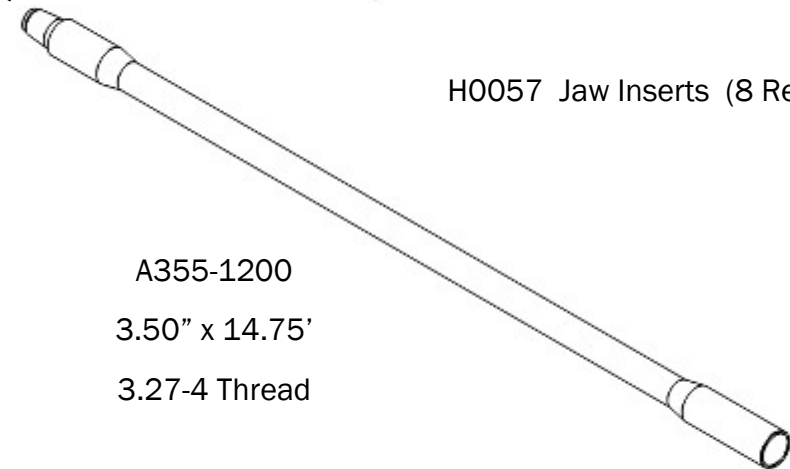
B

A -Modify existing customer SaverLoc

B -SaverLoc Sub Saver 400-2150-2464



H0057 Jaw Inserts (8 Required)



A355-1200

3.50" x 14.75'

3.27-4 Thread

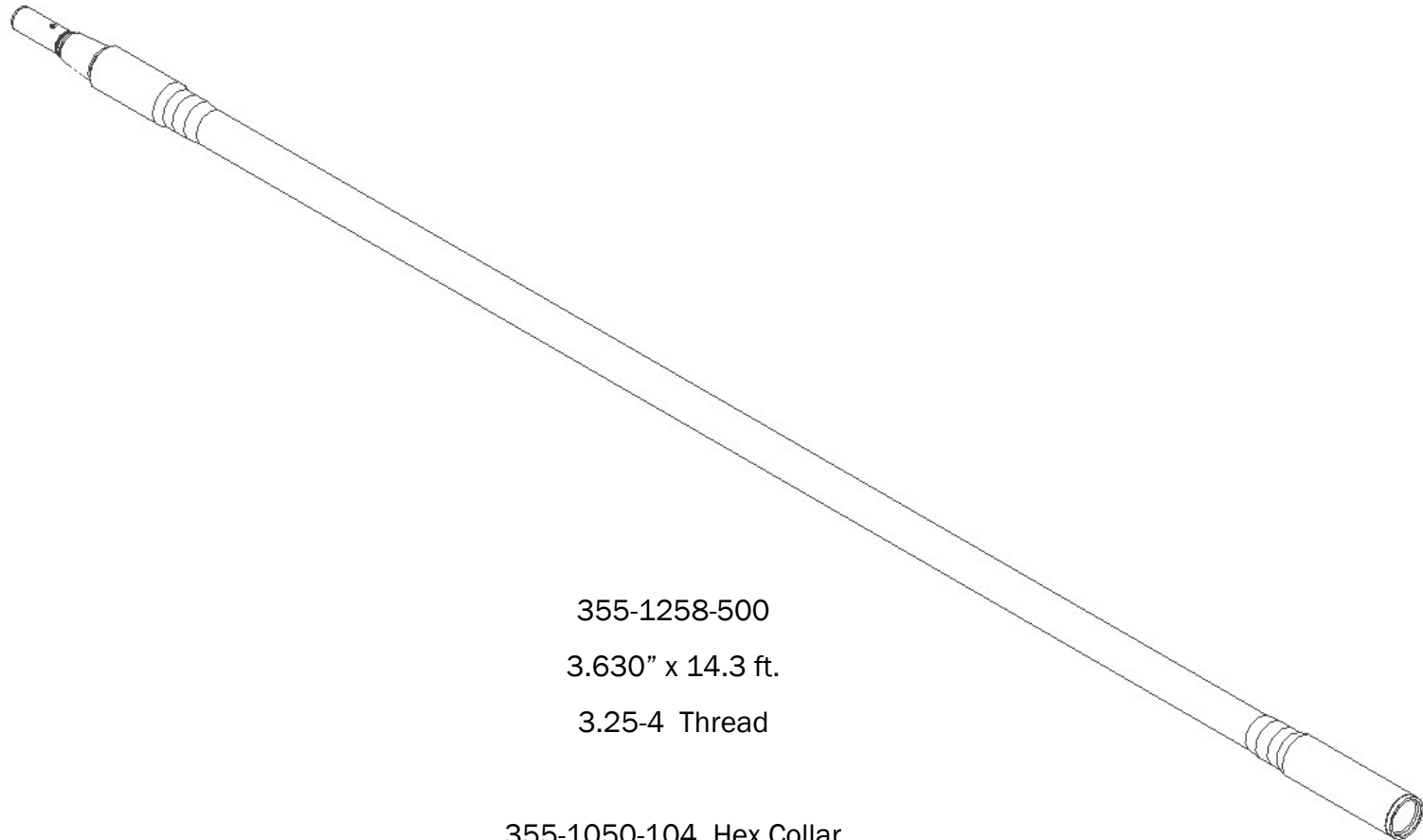
NOTE:

* DRIVE CHUCK FOR USE WITH MODELS PRODUCED BEFORE SN CMWJT100PD0000130

** DRIVE CHUCK FOR USE WITH MODELS PRODUCED AFTER SN CMWJT100PD0000131 (Wireline feature not included)

(*) indicates non stocking item





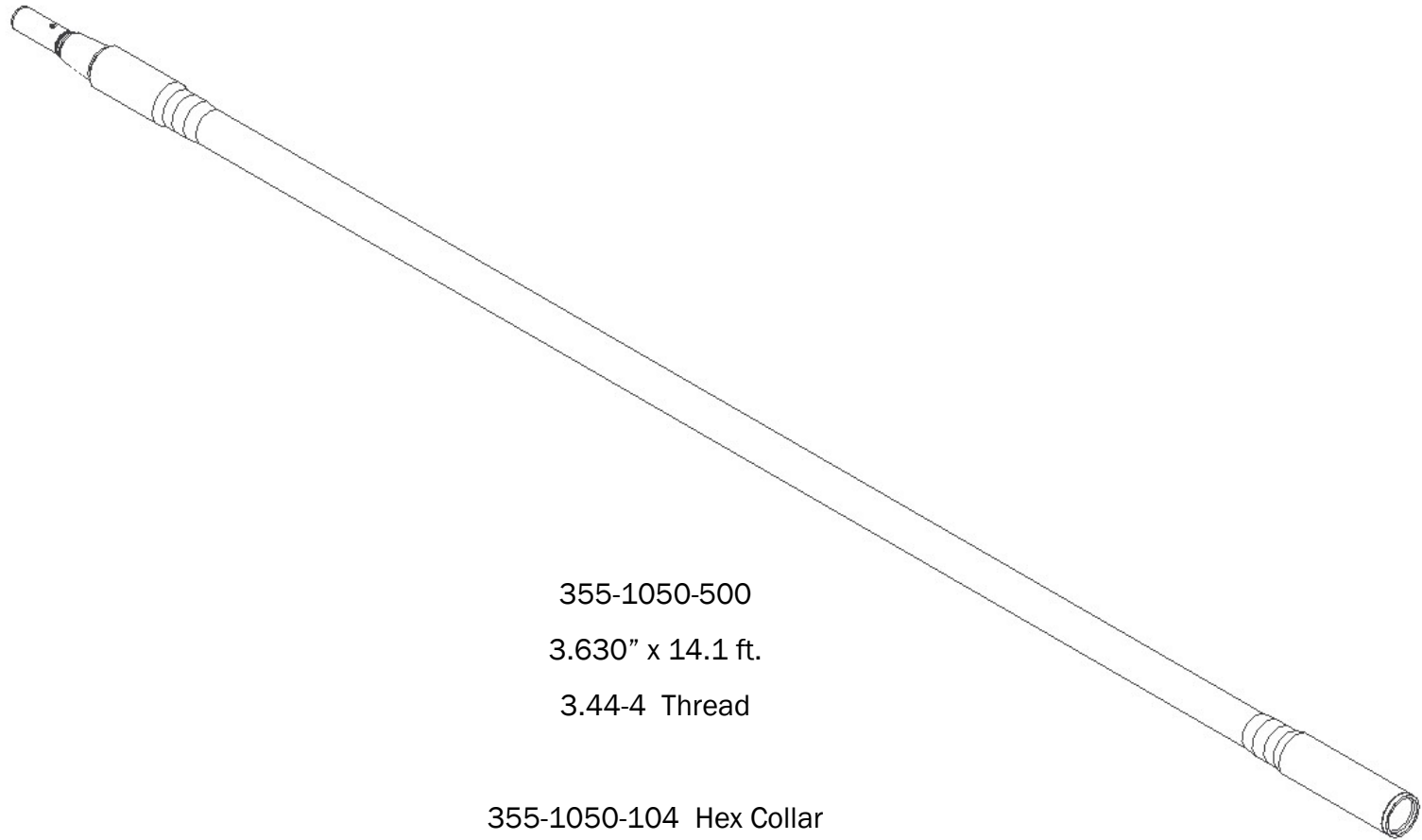
355-1258-500

3.630" x 14.3 ft.

3.25-4 Thread

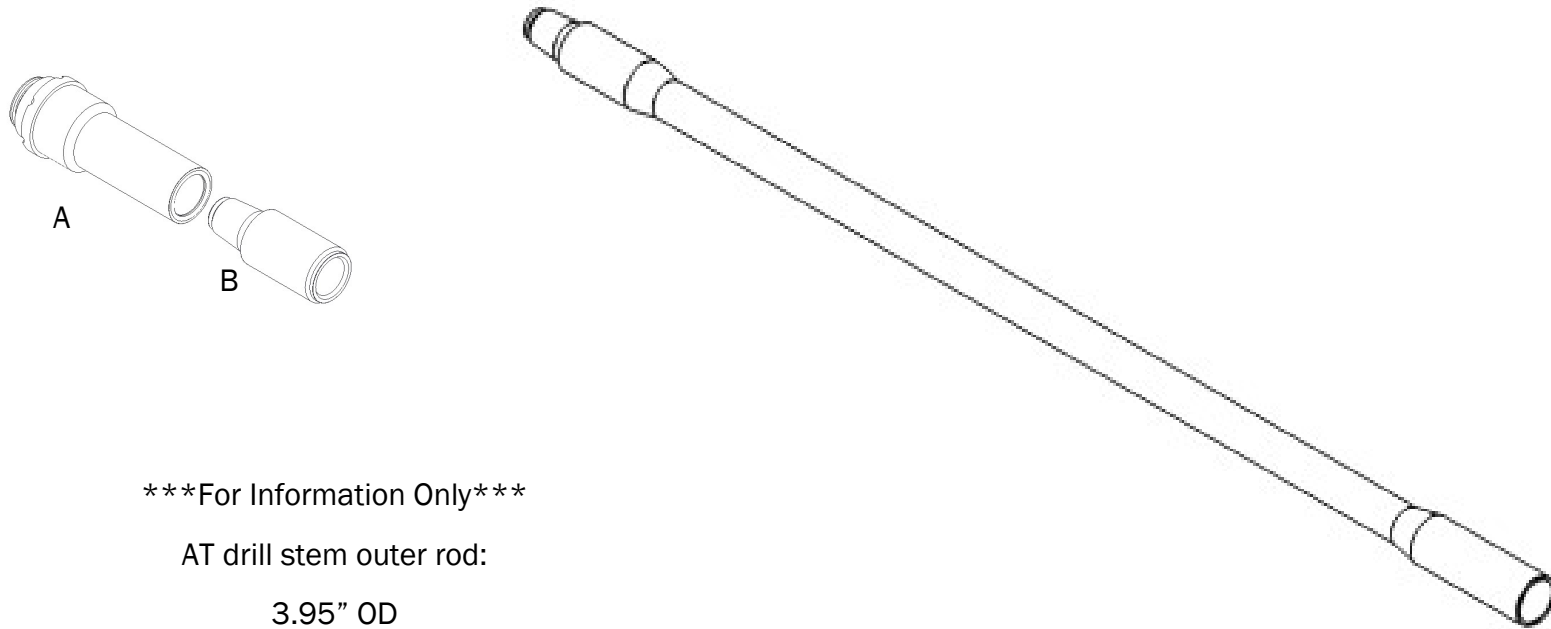
355-1050-104 Hex Collar

41LZ92 3/8"x1.0" Roll Pin



355-1050-500
3.630" x 14.1 ft.
3.44-4 Thread

355-1050-104 Hex Collar
41LZ92 3/8"x1.0" Roll Pin



For Information Only

AT drill stem outer rod:

3.95" OD

4.38" Tool Joint diameter

20' shoulder-to-shoulder length

POWER PIPE® HD (3.36DS)

Length of drill pipe	240 in	6.09 m
Diameter of drill pipe, tool joint end	4.38 in	111.2 mm
Diameter of drill pipe	3.95 in	100 mm
Bend radius, min	205 ft	62.5 m
Weight of drill pipe, lined	296 lb	134.2 kg

ALL TERRAIN PIPE (3.36DS)

Length of drill pipe	240 in	6.09 m
Diameter of drill pipe, tool joint end	4.38 in	111.2 mm
Diameter of drill pipe	3.95 in	100 mm
Bend radius, min	205 ft	62.5 m
Weight of drill pipe	395 lb	179.1 kg

