

# Vermeer® Road Maps

Drill Rod

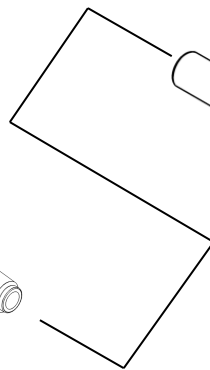
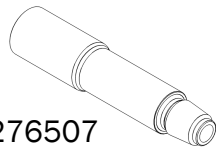
Drive Chucks

Saver Subs

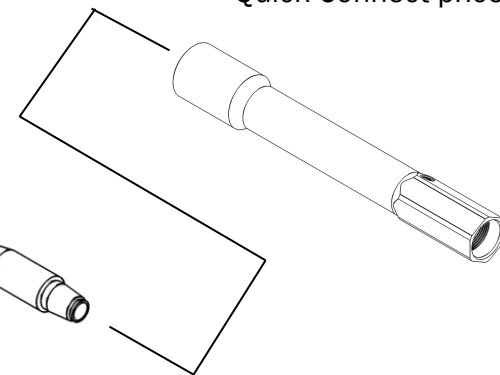


FOR USE WITH  
INTEGRAL DRIVE  
CHUCK

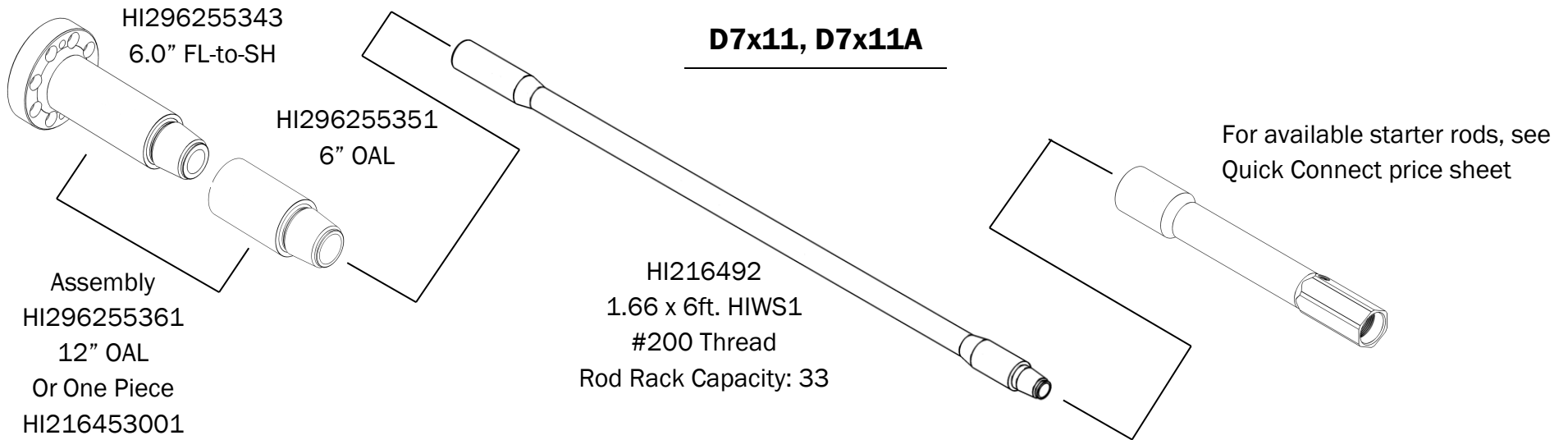
HI296276507  
10" OAL



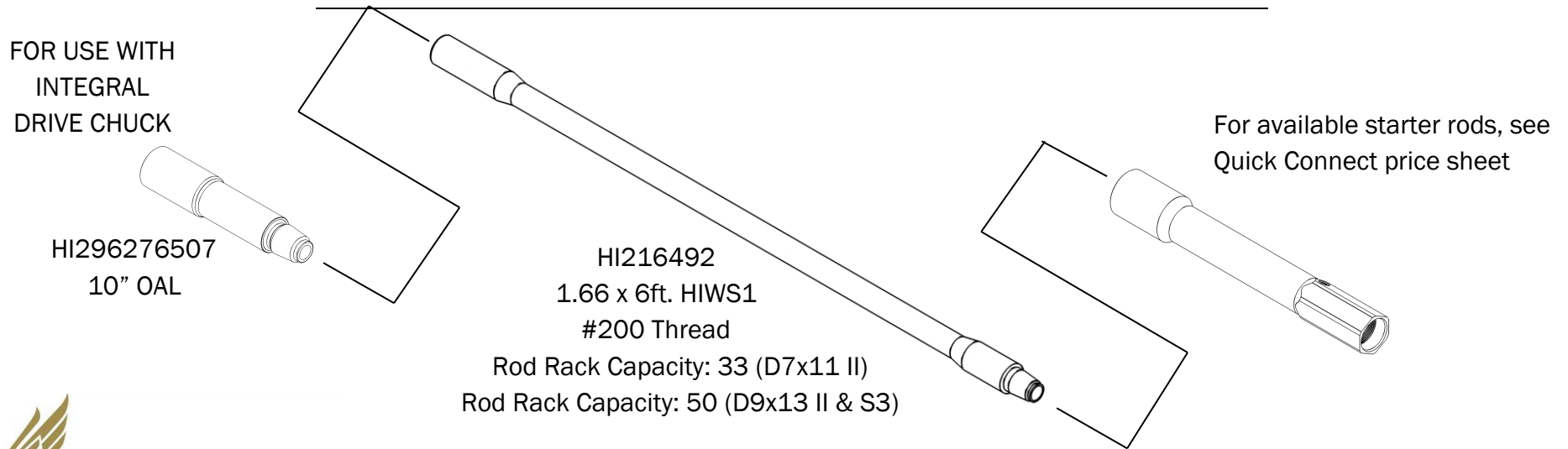
HI222394  
1.315 x 6ft. HIWS1  
#200 Thread  
Rod Rack Capacity: 25



For available starter rods, see  
Quick Connect price sheets.



**D7x11 Series II, D8x12, D9x13 Series II, D9x13 S3, D10x15 S3**

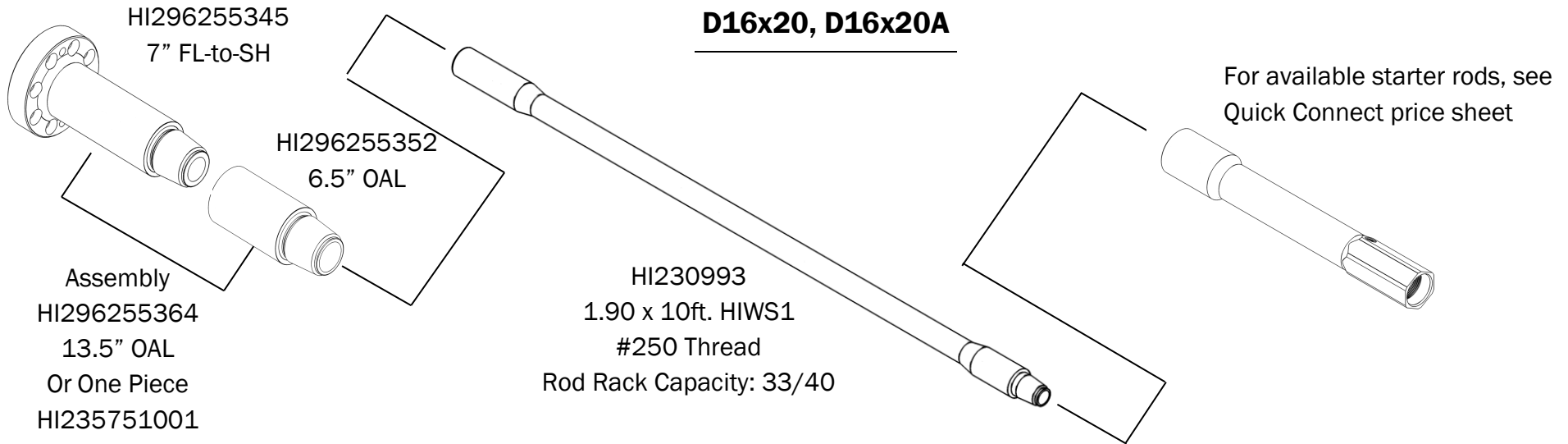


(\* indicates non-stock item)

**Vermeer®**

**D16x20, D16x20A, D16x20 Series II**

**Component Road Map**



FOR USE WITH  
INTEGRAL  
DRIVE CHUCK

**D16x20 Series II**

For available starter rods, see  
Quick Connect price sheet

HI296291966  
12.6" OAL

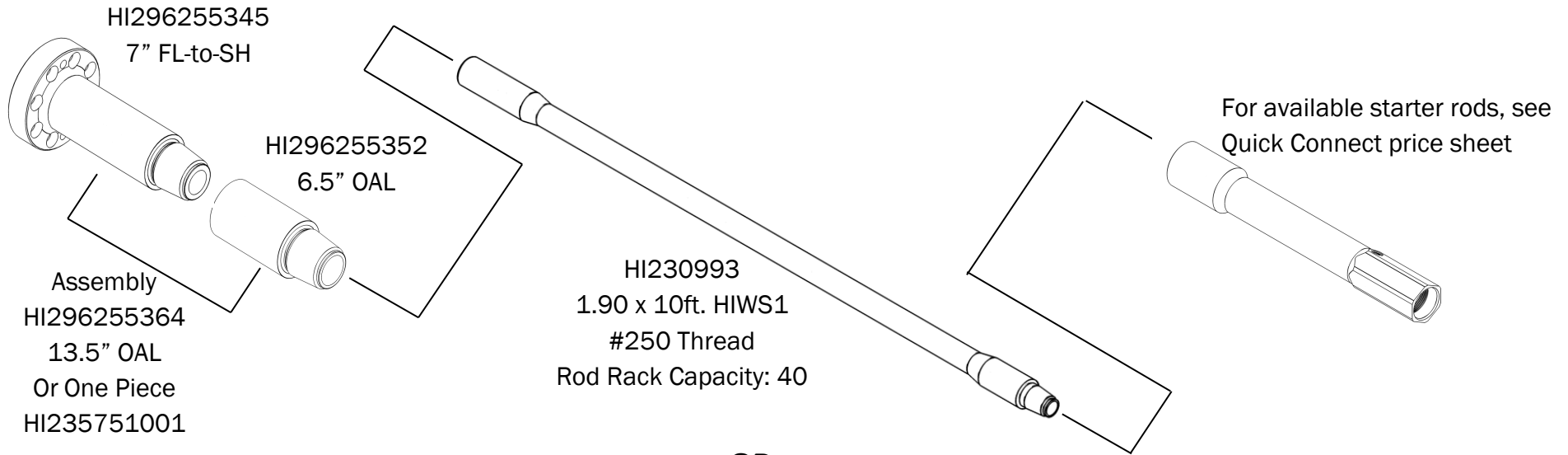
HI230993  
1.90 x 10ft. HIWS1  
#250 Thread  
Rod Rack Capacity: 40



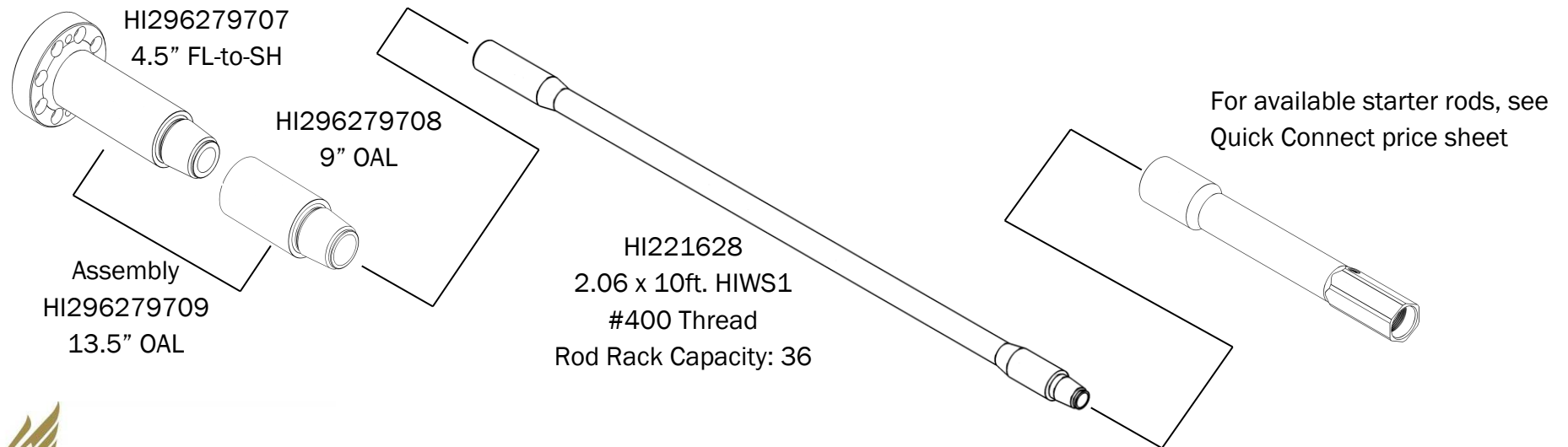
Vermeer®

D18x22, D20x22

Component Road Map



OR



FOR USE WITH  
INTEGRAL  
DRIVE CHUCK

HI296281195  
12.6" OAL

**D20x22 Series II, D20x22 S3\***

\* D20x22 S3 offered with 2 different pipe sizes

HI221628  
2.06 x 10ft. HIWS1  
#400 Thread  
Rod Rack Capacity: 35

For available starter rods, see  
Quick Connect price sheet

FOR USE WITH  
INTEGRAL  
DRIVE CHUCK

HI296291966  
12.6" OAL

**D20x22 S3\***

\* D20x22 S3 offered with 2 different pipe sizes

HI230993  
1.90 x 10ft. HIWS1  
#250 Thread  
Rod Rack Capacity: 40

For available starter rods, see  
Quick Connect price sheet

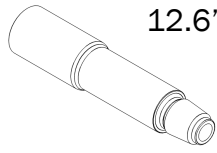
Vermeer®

D23x30 S3

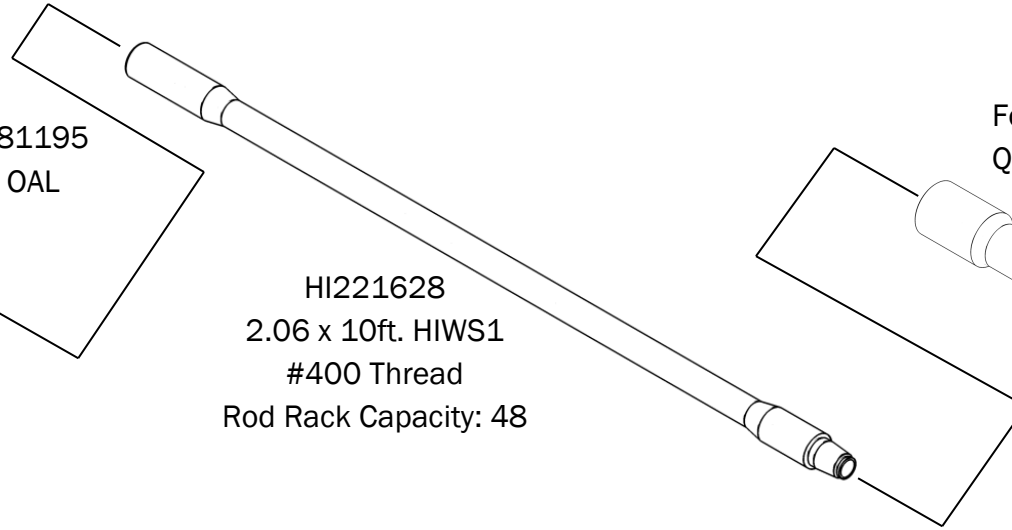
Component Road Map

FOR USE WITH  
INTEGRAL DRIVE  
CHUCK

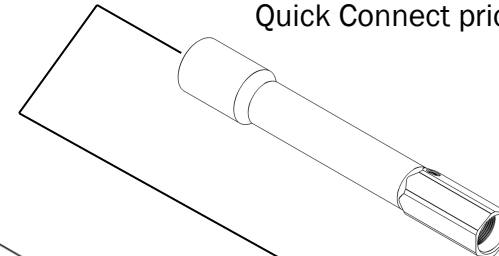
HI296281195  
12.6" OAL



HI221628  
2.06 x 10ft. HIWS1  
#400 Thread  
Rod Rack Capacity: 48

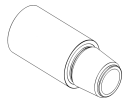


For available starter rods, see  
Quick Connect price sheet

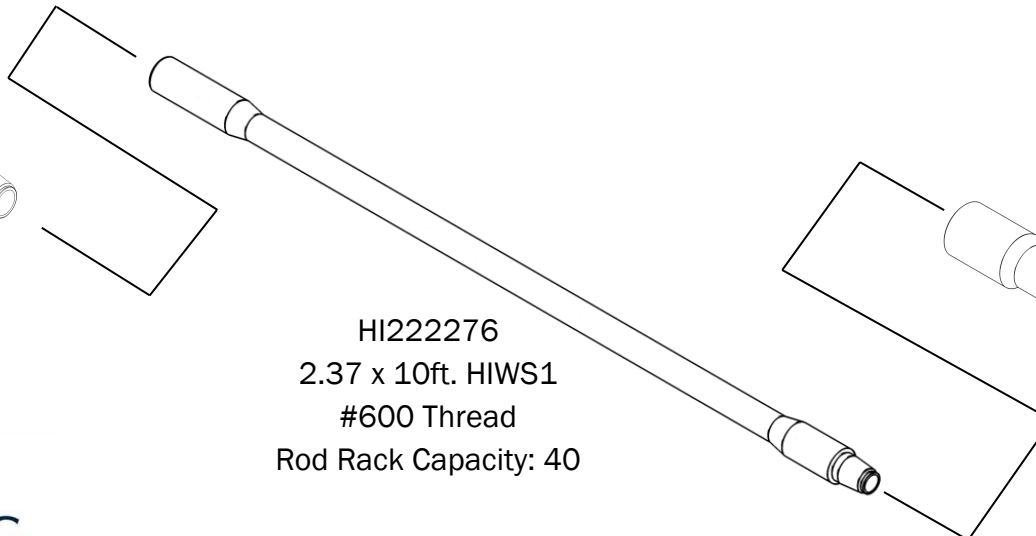


FOR USE WITH  
INTEGRAL DRIVE  
CHUCK

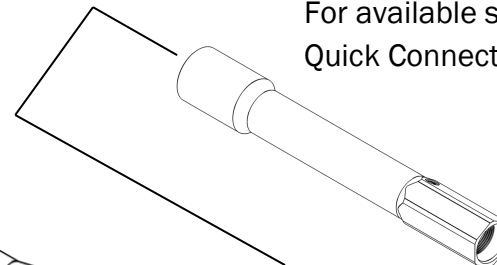
HI296409414  
12.6" OAL



HI222276  
2.37 x 10ft. HIWS1  
#600 Thread  
Rod Rack Capacity: 40



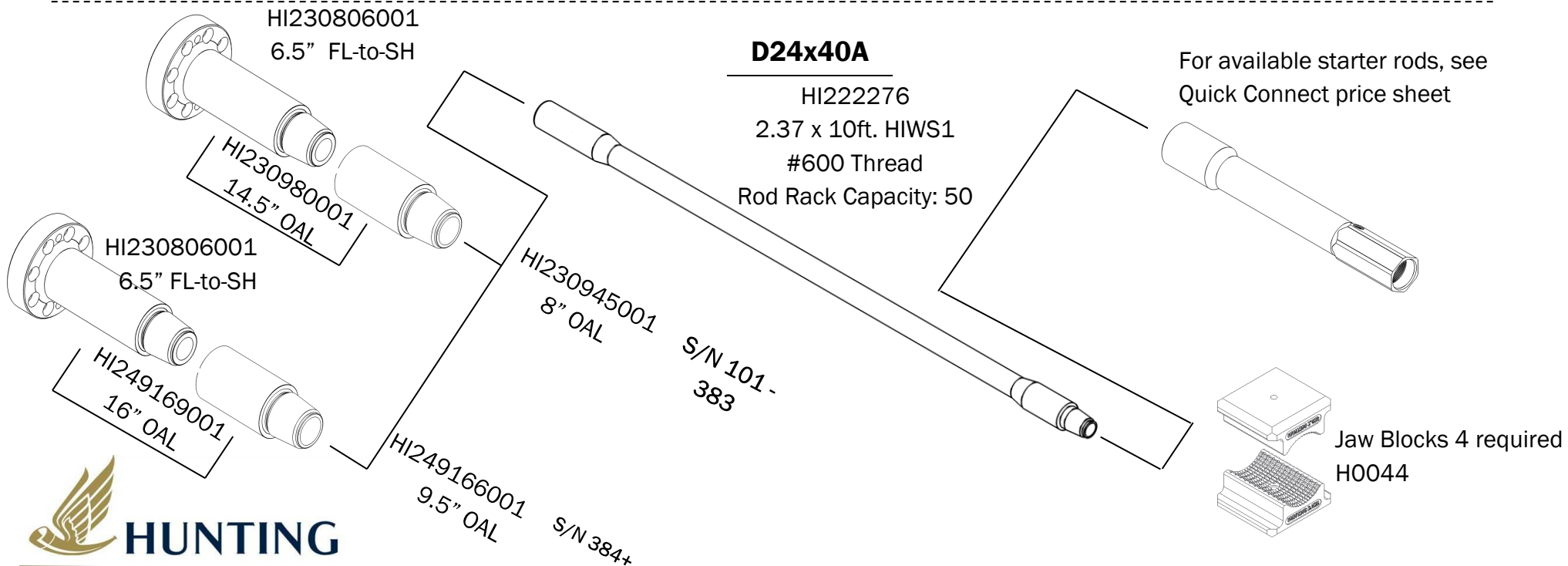
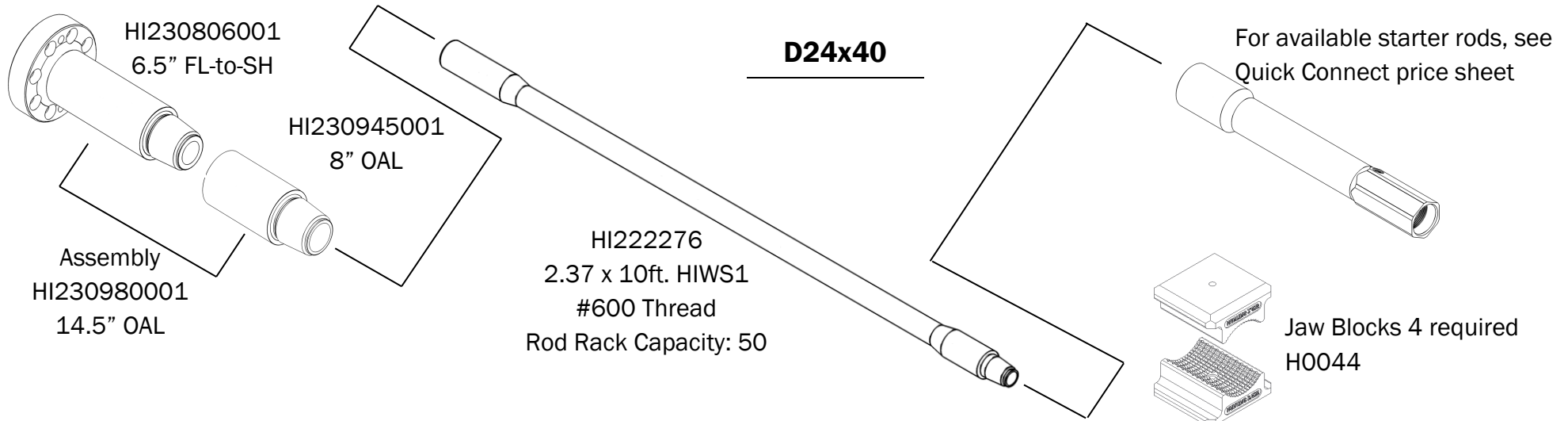
For available starter rods, see  
Quick Connect price sheet



Vermeer®

D24x40, D24x40A

Component Road Map

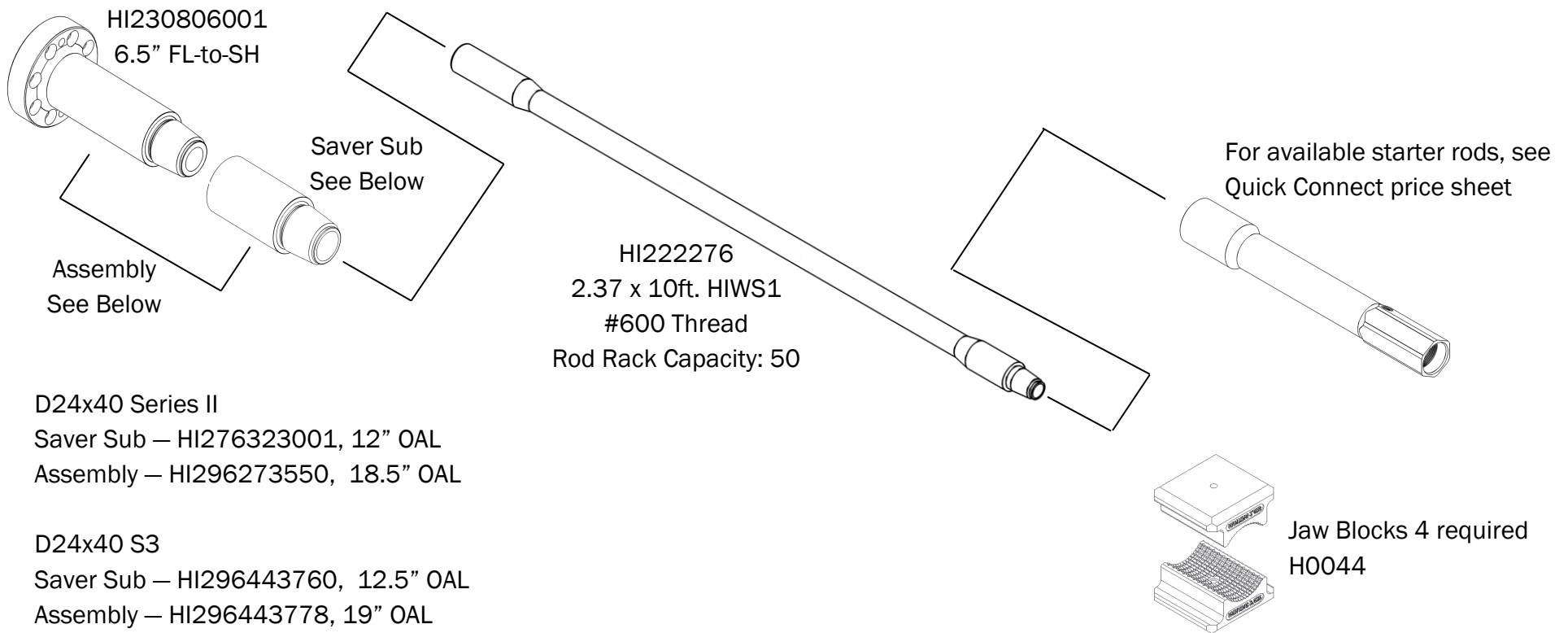




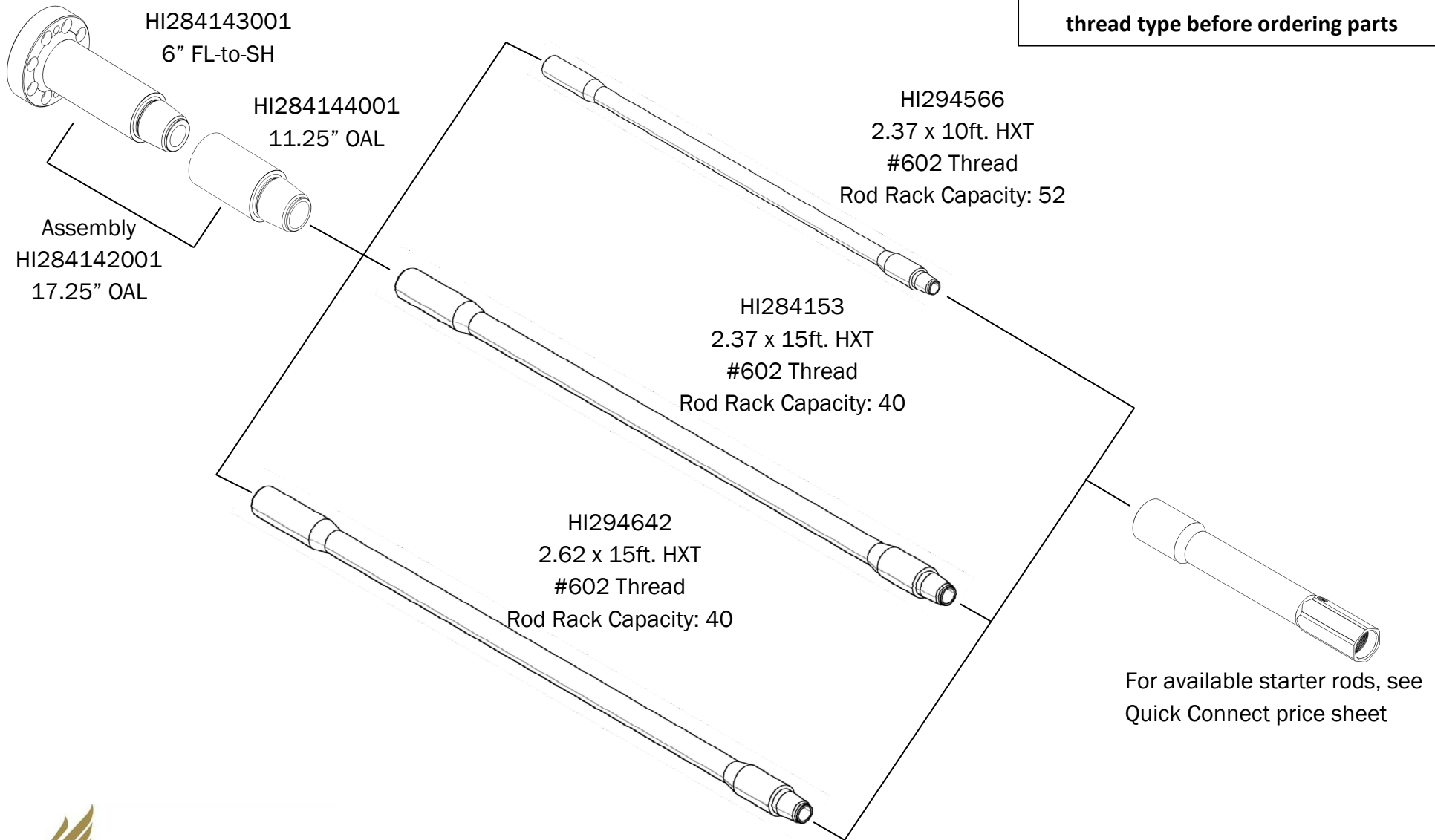
Vermeer®

D24x40 Series II, D24x40 S3

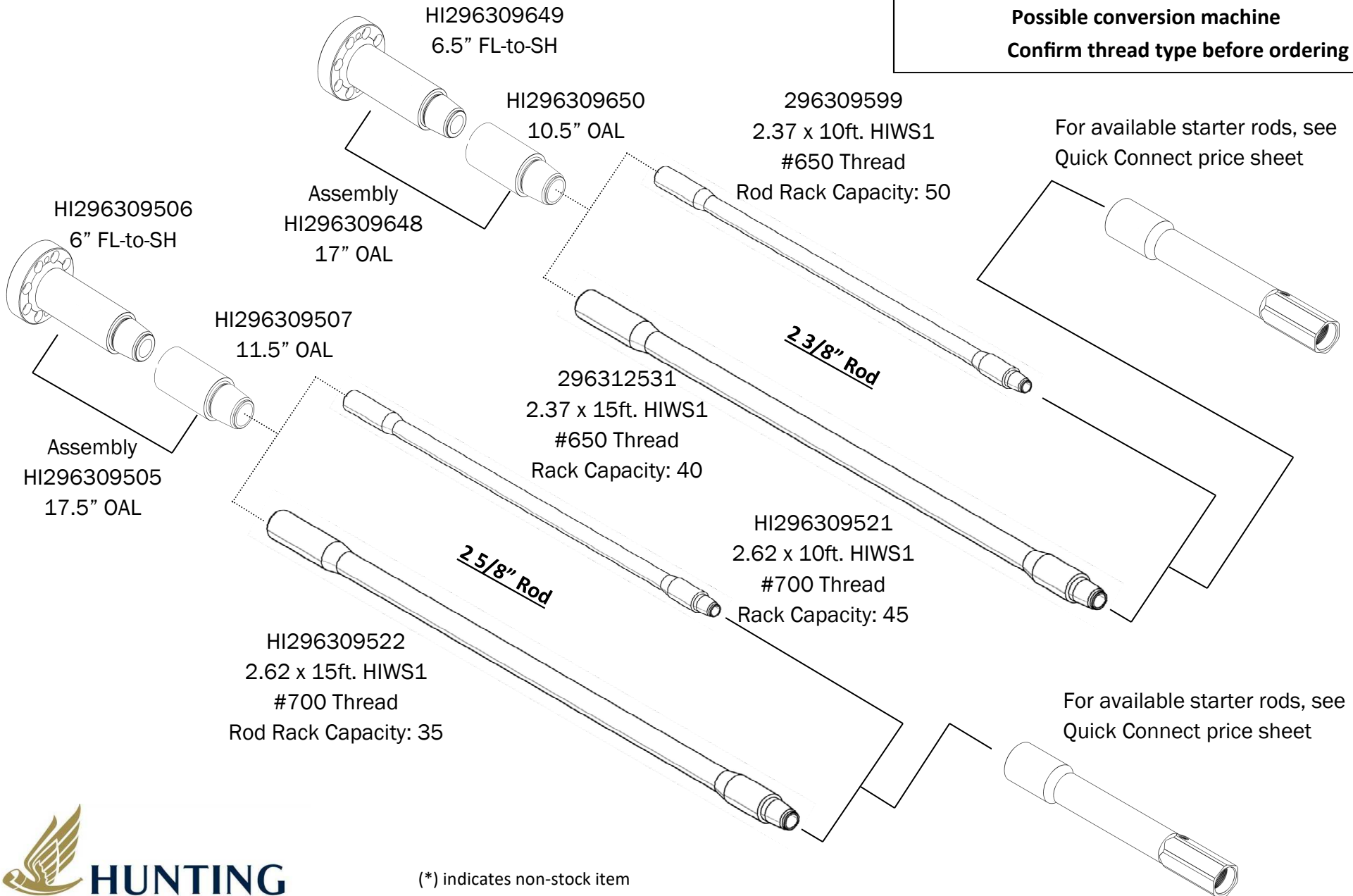
Component Road Map



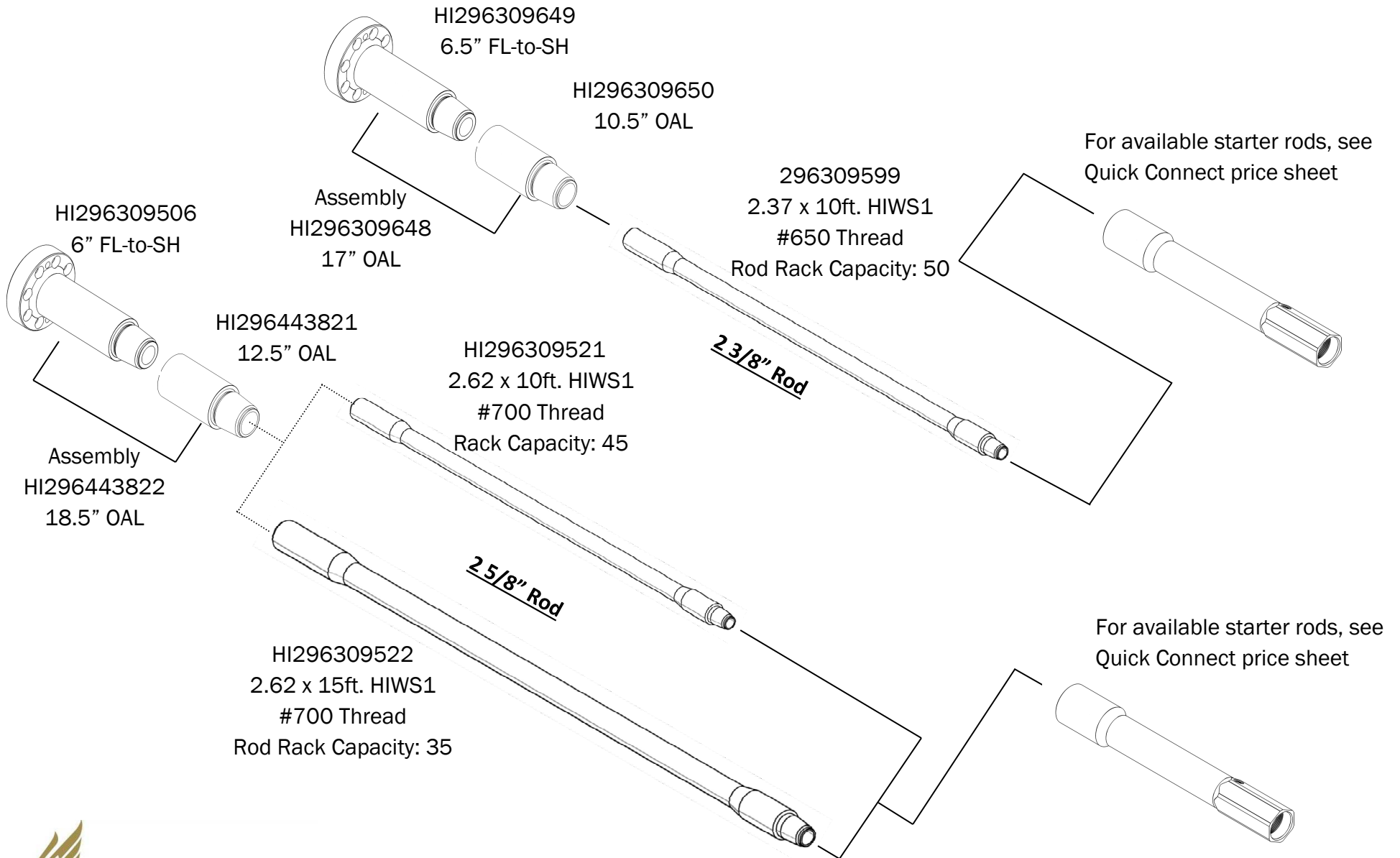
Possible conversion machine - Confirm thread type before ordering parts

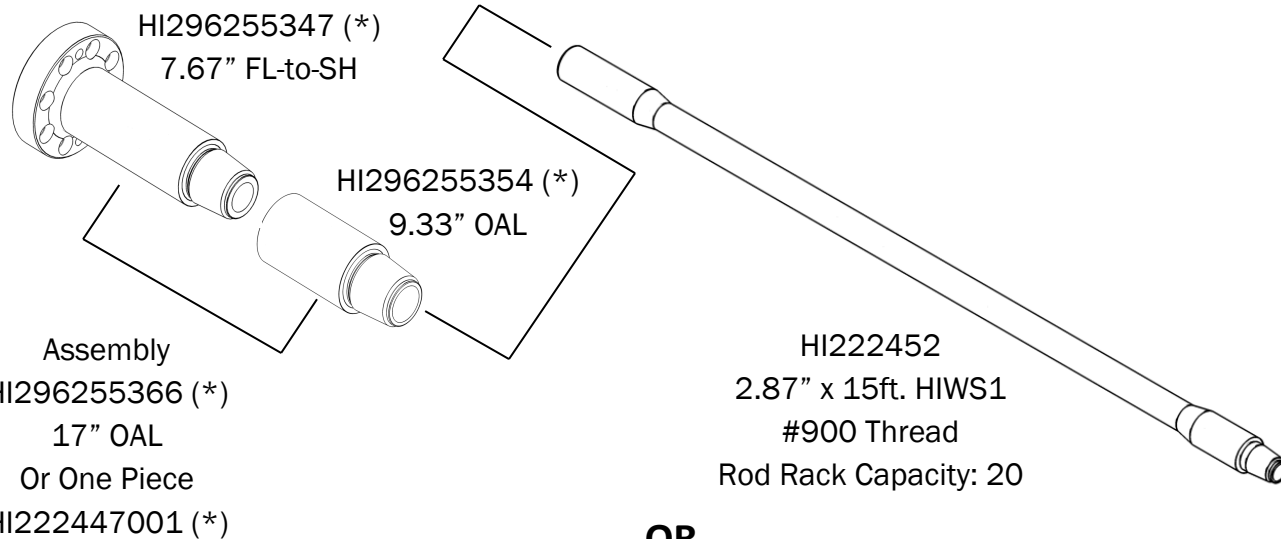


Possible conversion machine  
Confirm thread type before ordering

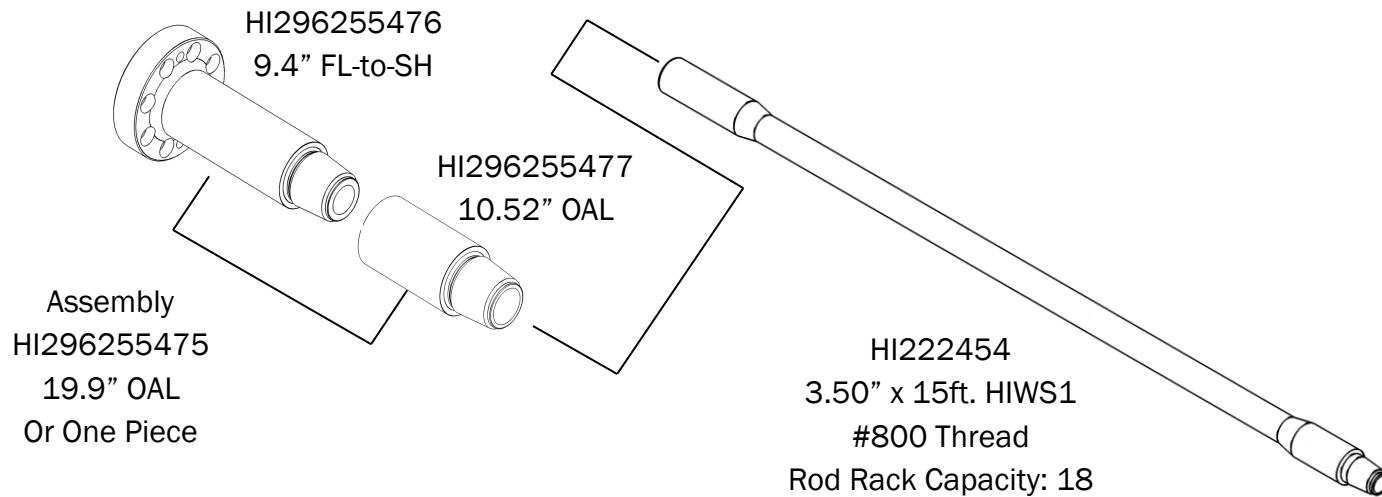


(\* indicates non-stock item)





OR

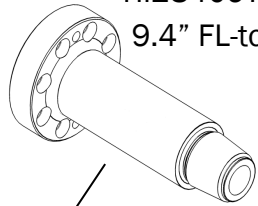


Vermeer®

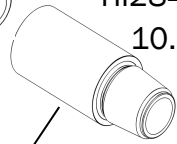
D55x100, D75x100

Component Road Map

HI284097001  
9.4" FL-to-SH

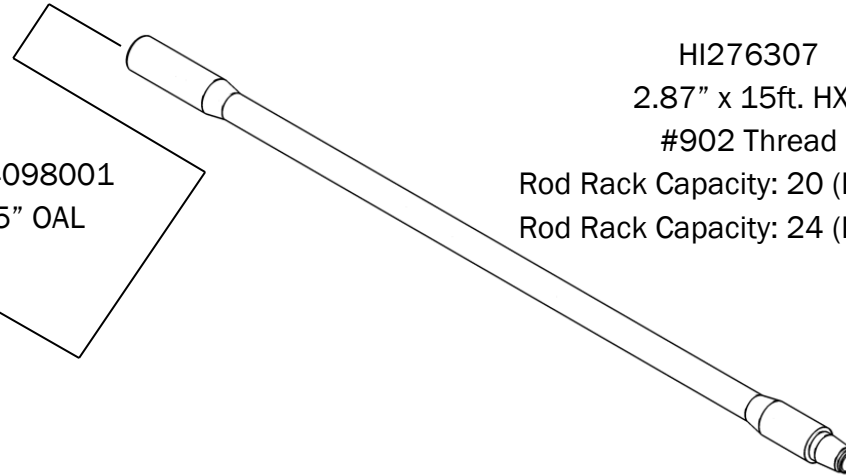


HI284098001  
10.5" OAL



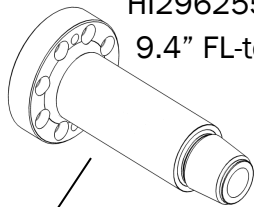
Assembly  
HI284094001  
20" OAL

HI276307  
2.87" x 15ft. HXT  
#902 Thread  
Rod Rack Capacity: 20 (D55x100)  
Rod Rack Capacity: 24 (D75x100)

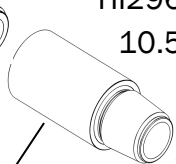


OR

HI296255476  
9.4" FL-to-SH

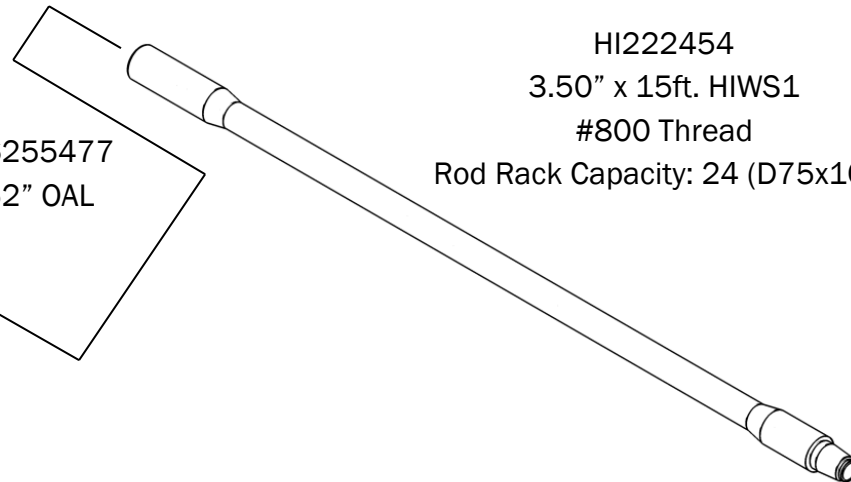


HI296255477  
10.52" OAL

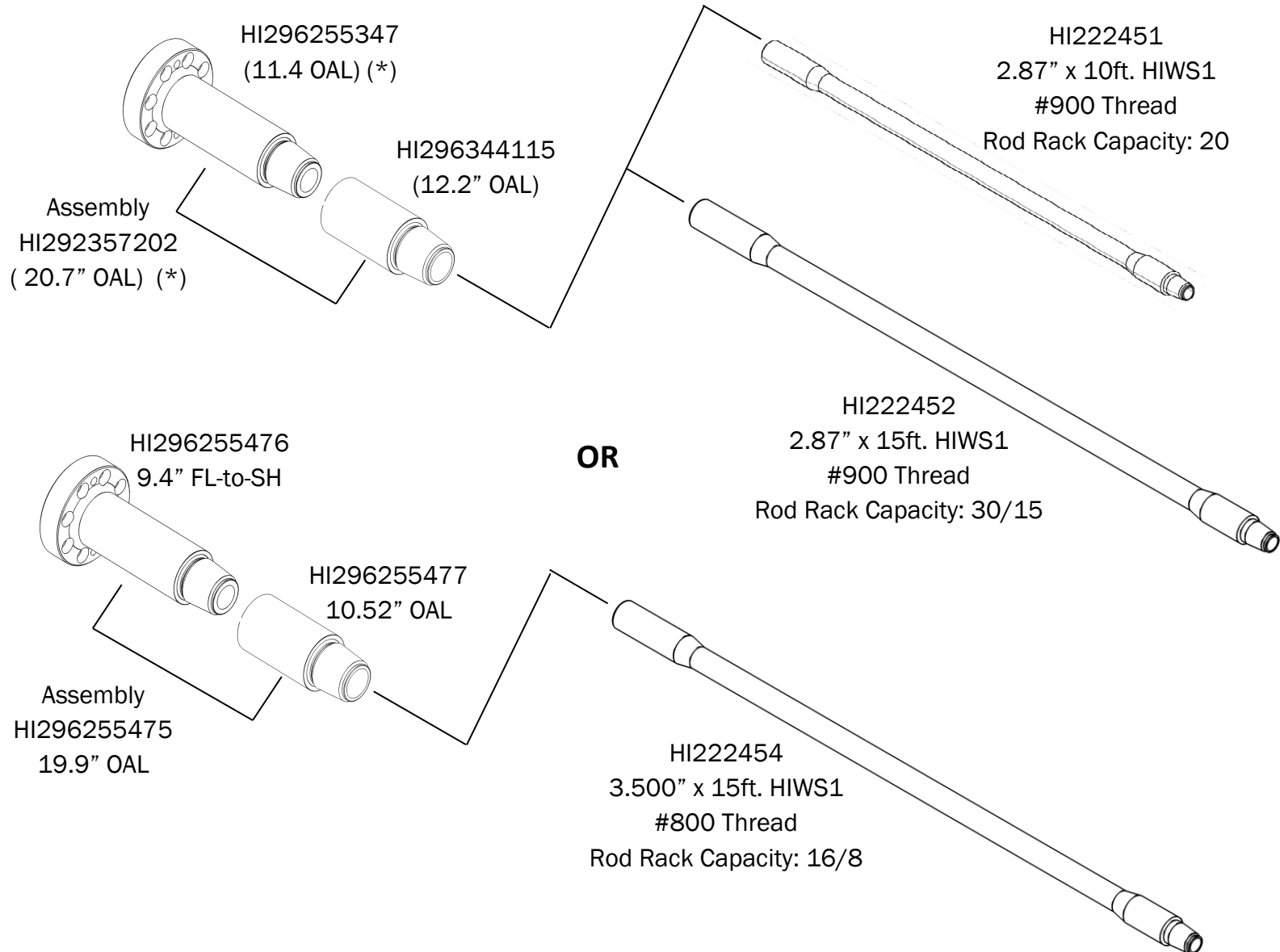


Assembly  
HI296255475  
19.9" OAL

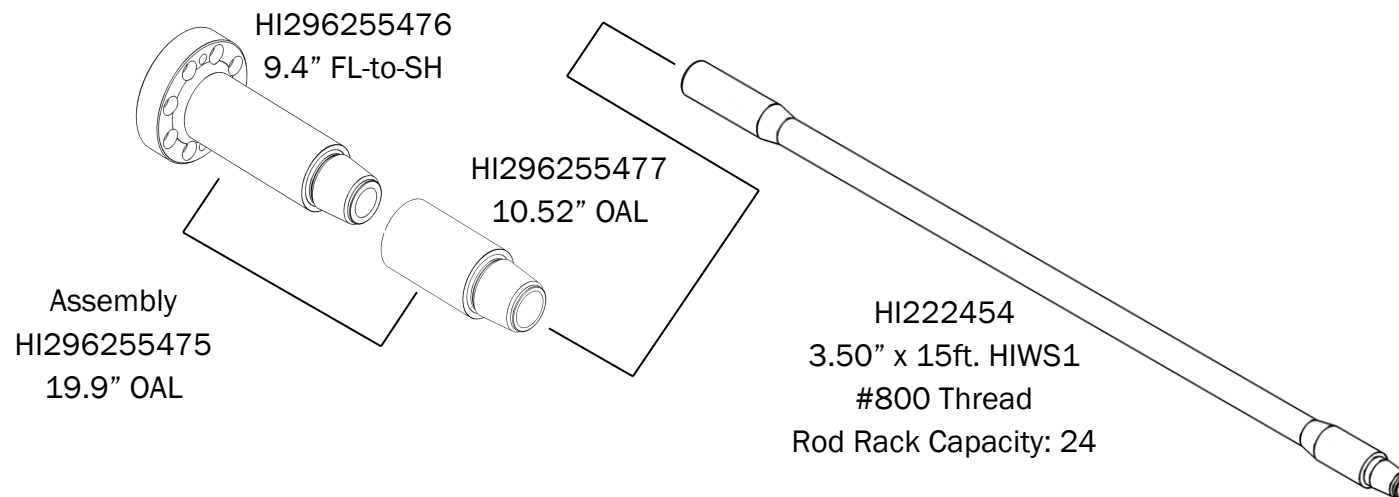
HI222454  
3.50" x 15ft. HIWS1  
#800 Thread  
Rod Rack Capacity: 24 (D75x100)



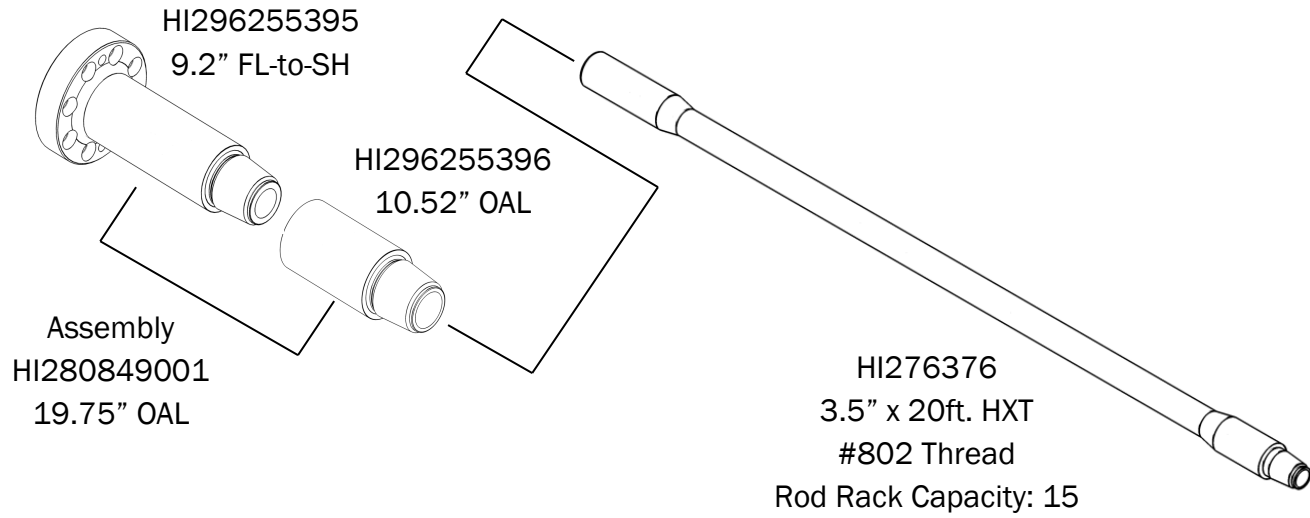
(\* indicates non-stock item)



(\*) indicates non-stock item







OR

